



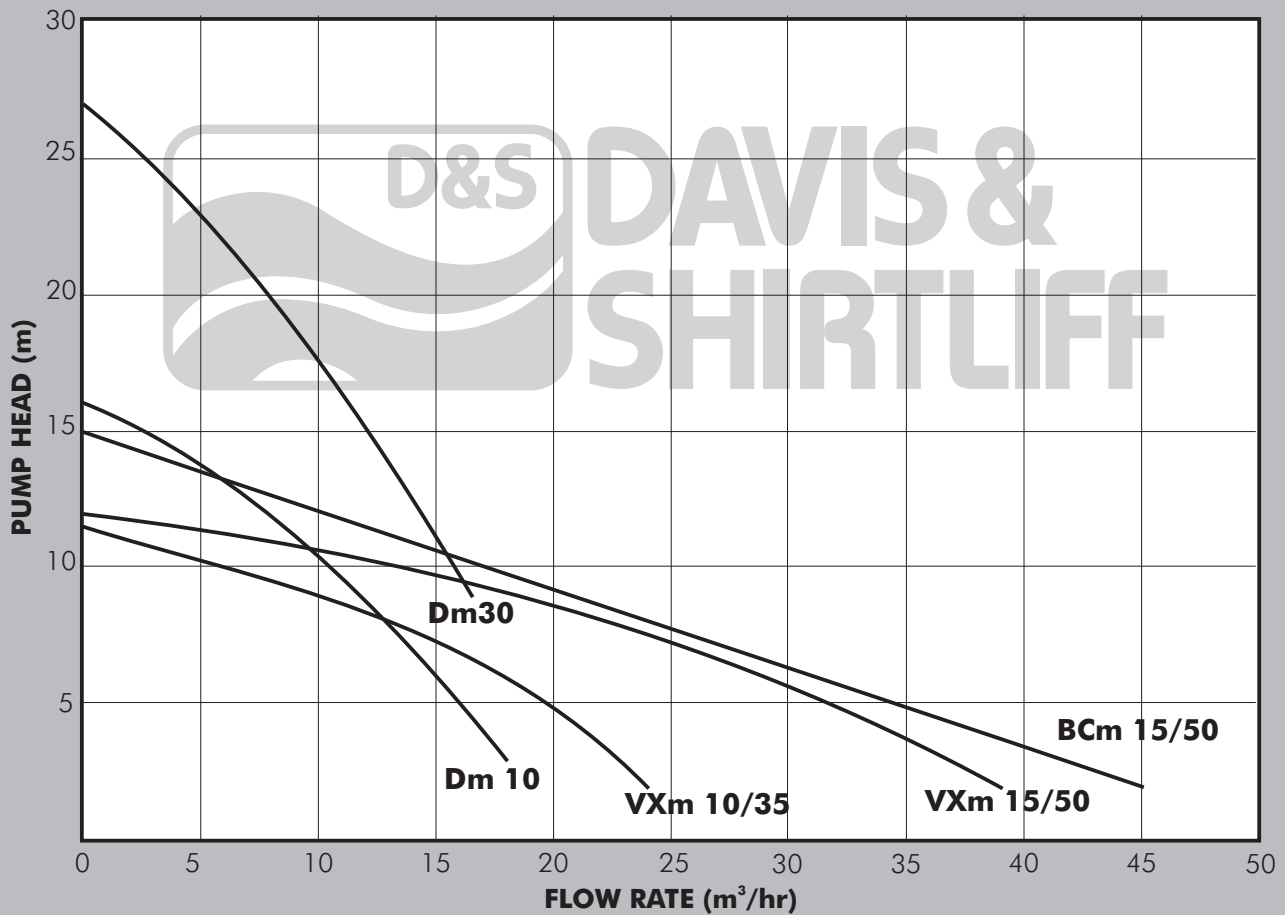
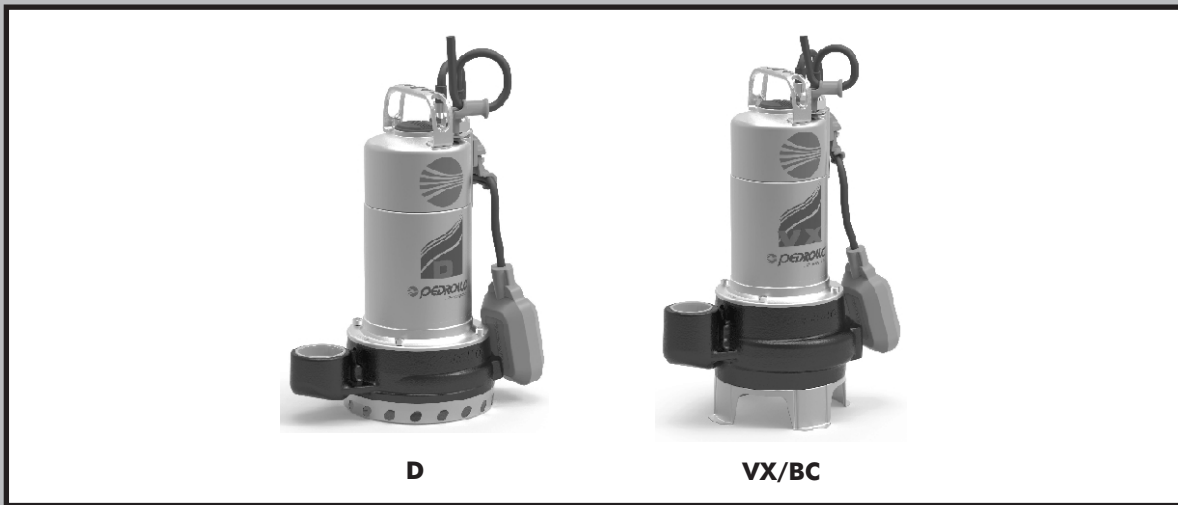
PEDROLLO

MADE IN ITALY

DATA SHEET

Centrifugal Submersible Drainage Pumps

D/VX/BC



PUMP

The Pedrollo D, VX & BC range of centrifugal submersible drainage pumps are specifically designed to operate in waste water containing relatively large amounts of impurities. D series is fitted with open impellers for lighter duties and is most suitable for draining flooded areas, VX series is fitted with a retractable vortex impeller to minimise clogging in heavily polluted waters and BC series is fitted with a double channel impeller for pumping of liquids containing suspended solids and short fibres.

All models are provided with an external float with built in switch to automatically control pump operation. Construction is epoxy electrocoated cast iron pump body and stainless steel motor housing, D series models being fitted with Noryl plastic impellers and stainless steel intake screens. The VX and BC models are fitted with stainless steel impellers and bases. 5m of Neoprene cable is supplied as standard.

MOTOR

Pumps are provided with built-in liquid cooled non-overloading induction motors designed for continuous operation. A thermal cut-out is provided in the motor windings to protect against pump overload and the pump can be connected directly to the mains power supply through a 10amp fuse or MCB.

Enclosure Class: IP68

Insulation Class: F

Voltage: 1x240V

Speed: 2900rpm

OPERATING CONDITIONS

Pumped liquid: Thin, clean, chemically non-aggressive liquids containing some impurities and fibres.

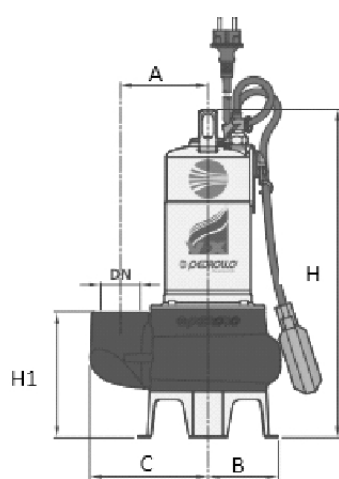
Max. Fluid Temperature: +40°C

Max. Operating Depth: 5m

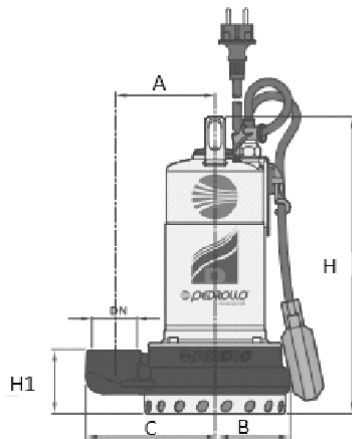
Min. Immersion Depth: 290mm (Vxm 10/35), 320mm (Vxm 15/50)

PUMP DATA

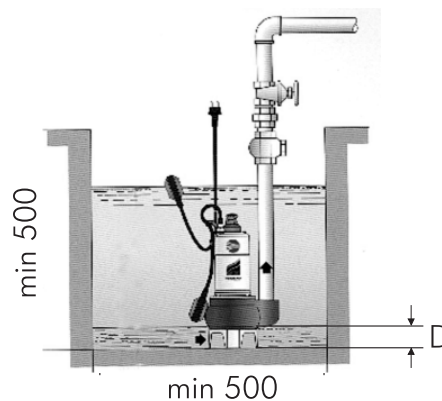
Model	Power (Kw)	Current (A)	Max Particle (mm)	Dimensions (mm)								Weight (kg)
				DN	A	B	C	D	H	H1		
Dm10	0.75	4.5	10	1½"	105	81	136	15min	320	66	13	
Dm30	1.1	6.9	10	1½"	110	90	140	15min	340	80	15	
Vxm 10/35	0.75	5.0	40	1½"	115	95	148	50min	406	139	13	
Vxm 15/50	1.1	7.1	50	2"	115	95	155	60min	446	164	16	
BCm 15/50	1.1	8.5	50	2"	120	97	163	65min	430	158	17	



VX/BC



D



© Davis & Shirliff 2016. Contents herein are not warranted. The right is reserved to amend specifications without notice.

PD49H-08/14

KENYA
 Nairobi - Head Office
 Tel: (254 20) 696800
 headoffice@dayliff.com
 Nairobi - Westlands
 Tel: (254 20) 44480116
 westlands@dayliff.com
 Nairobi - Downtown
 Tel: (254 20) 3340102
 downtown@dayliff.com
 Nairobi - Karen
 Tel: (254 20) 3883513
 karen@dayliff.com
 Utawala
 Tel: (254) 780 575745
 utawala@dayliff.com
 Ongata Rangai
 Tel: (254 20) 2400146
 ongatarangai@dayliff.com
 Kiambu
 Tel: (254) 701 646 309
 kiambu@dayliff.com

Thika
 Tel: (254 67) 2220084
 thika@dayliff.com
Kitengela
 Tel: (254 45) 3123094
 kitengela@dayliff.com
Machakos
 Tel: (254 44) 2021668
 machakos@dayliff.com
Kitui
 Tel: (254) 701 683 289
 kitui@dayliff.com
Meru
 Tel: (254 64) 3131033
 meru@dayliff.com
Nanyuki
 Tel: (254 62) 2030018
 nanyuki@dayliff.com
Garissa
 Tel: (254 46) 2102620
 garissa@dayliff.com
Naivasha
 Tel: (254 50) 2030510
 naivasha@dayliff.com

Lodwar
 Tel: (254 724) 248692
 lodwar@dayliff.com
Eldoret
 Tel: (254 53) 2061306
 eldoret@dayliff.com
Nakuru
 Tel: (254 51) 2213248
 nakuru@dayliff.com
Narok
 Tel: (254) 701 683 289
 narok@dayliff.com
Kakamega
 Tel: (254 56) 2031889
 kakamega@dayliff.com
Kisumu
 Tel: (254 57) 2024763
 ksmoffice@dayliff.com
Kisii
 Tel: (254 58) 2030949
 kisii@dayliff.com

KENYA COAST
Mombasa - Main Office
 Tel: (254 20) 2040432
 mombasa@dayliff.com
Mombasa - Downtown
 Tel: (254) 780 567 379
 mombasadowntown@dayliff.com
Malindi
 Tel: (254 42) 2120425
 midoffice@dayliff.com
Diani
 Tel: (254 40) 3202181
 dianioffice@dayliff.com
Lamu
 Tel: (254 20) 2651052/56
 lamu@dayliff.com
Nyali
 Tel: (254 20) 2443357
 nyali@dayliff.com
Kisii
 Tel: (254 58) 2030949
 kisii@dayliff.com

UGANDA
Kampala - Main Office
 Tel: (256 414) 346337/8
 kampala@dayliff.com
Kampala - Nakasero
 Tel: (256 392) 734633
 nakasero@dayliff.com
Kampala - Shauri Yako
 Tel: (256 414) 660 770
 shauriyako@dayliff.com
Gulu
 Tel: (256 471) 433041
 gulu@dayliff.com
Mbarara
 Tel: (256 753) 940 080
 mbarara@dayliff.com
 Jinja
 Tel: (256 392) 001556
 jinja@dayliff.com

TANZANIA
Dar es Salaam - Main Office
 Tel: (255 22) 2112515/6
 daressalaam@dayliff.com
Dar es Salaam - Kariakoo
 Tel: 2184867
 kariakoo@dayliff.com
Arusha
 Tel: (255 27) 2547317/8
 arusha@dayliff.com
Zanzibar
 Tel: (255 24) 2234660/1
 zanzibar@dayliff.com
Mwanza
 Tel: (255 28) 2541971/2
 d&mwanz@dayliff.com
SOUTH SUDAN
Juba
 Tel: (211 956) 397 070
 juba@dayliff.com

ZAMBIA
Lusaka - Main Office
 Tel: (260 211) 288010/1
 daressalaam@dayliff.com
Lusaka - ChaChaCha
 Tel: (260 211) 842350
Ndola
 Tel: (260 212) 610936/7
 ndola@dayliff.com
Kitwe
 Tel: (260 212) 221747/67
 kitwe@dayliff.com
Livingstone
 Tel: (260 213) 320002/234
 livingstone@dayliff.com
Solwezi
 Tel: (260 218) 821822
 solwezi@dayliff.com

RWANDA
Kigali
 Tel: (250) 252 504039
 kigali@dayliff.co.rw
Rubavu
 Tel: (243) 814 911999
 rubavu@dayliff.com
ETHIOPIA (Associate)
Addis Ababa
 Tel: (251 11) 5159341/44
 ethiopia@dayliff.com
DRC
Lubumbashi
 Tel: (243) 978 115412/ 852 758553
 drc@dayliff.com



www.davisondshirliff.com



Davis & Shirliff



@dayliff